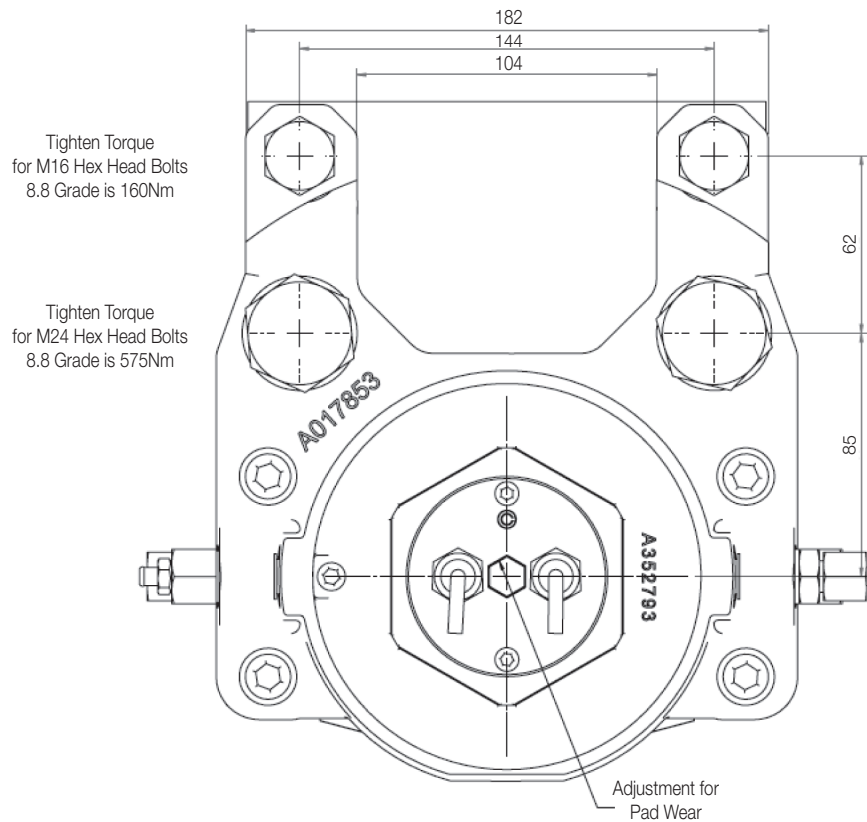
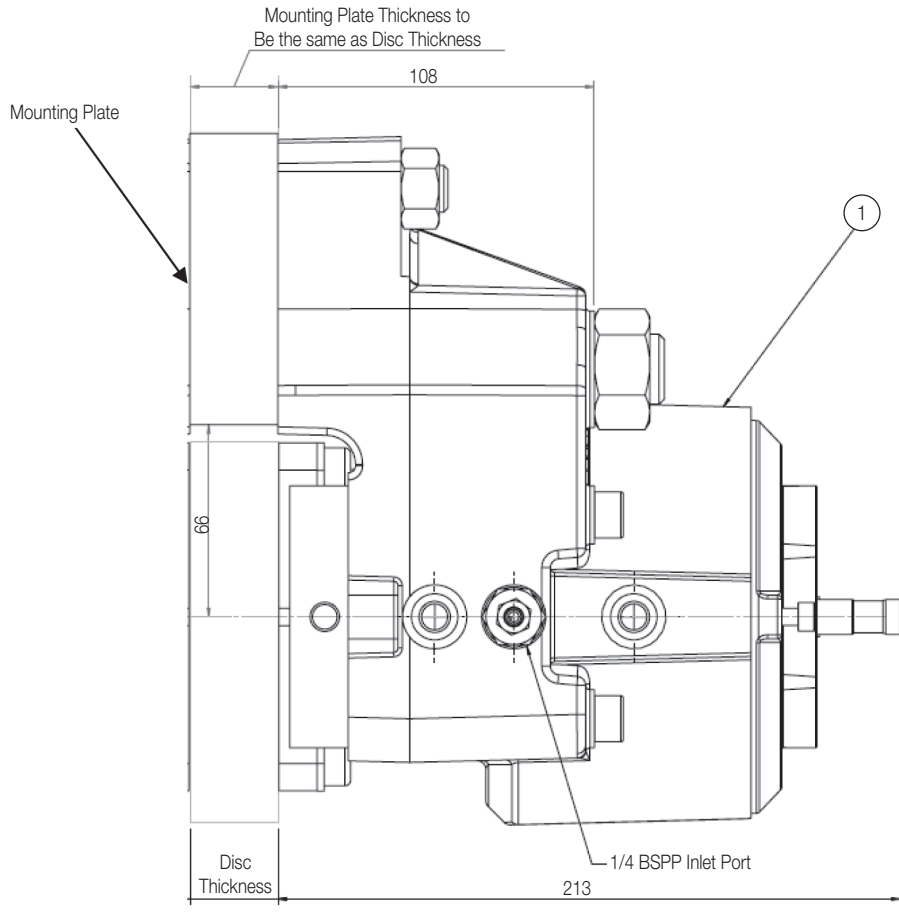


VCS-MK4 Disc Brake Caliper - Spring Applied, Hydraulically Released



VCS-MK4 Disc Brake Caliper - Spring Applied, Hydraulically Released

Technical Specifications

Pad Area = 296.8 cm² (2 Pads)

Effective Disc Radius = Disc Radius – 0.064m

Minimum Disc Diameter = 500mm

Pad Wear Allowance: = 5mm

VCS MK4 Spring Module

Caliper Type	Braking Force (kN)	Air Gap (mm)	Release Pressure (bar)	Max Retraction Pressure (bar)	Max Allowable Pressure (bar)
VCS 70	60	1.7	135	160	250
VCS 60	50	2	115	150	250
VCS 50	40	2	95	135	250
VCS 40	30	2	75	115	250
VCS 30	20	2	55	95	250

VCS MK4 Floating Module

Caliper Type	Braking Force (kN)	Air Gap (mm)	Release Pressure (bar)	Max Retraction Pressure (bar)	Max Allowable Pressure (bar)
VCS 70	60	1.7	135	160	250
VCS 60	50	2	115	150	250
VCS 50	40	2	95	135	250
VCS 40	30	2	75	115	250
VCS 30	20	2	55	95	250

Braking Force Assumes-

- Coefficient of friction between brake pad and brake disc of 0.4*
- A small loss due to spring pack friction
- An air gap setting as stated in the table

Braking force is increased by reduction in air gap setting and vice versa.

* This is only achieved by fully bedded-in and conditioned brake pads and high standard of cleanliness and dryness at the friction surfaces.

Bedding in procedure is available in publication M1065.

Hydraulics

The Hydraulic Fluid is mineral based oil fluid. Correctly formulated water oil emulsion may also be used.

Adjustment

Retract the Brake by applying the Maximum Retraction Pressure from the table. Turn the adjusting bar clockwise to move the pad forward and adjust the air gap as per value given in the table. The thickness of the mounting plate will be the same as the brake disc thickness.



An Altra Industrial Motion Company

www.twiflex.com

9 Briar Road, Twickenham
Middlesex TW2 6RB - England
+44 (0) 20 8894 1161
Fax: +44 (0) 20 8755 5601



This approval is in Accordance with
Certificate number 850822
Issue 04 June 2009 © Twiflex 2001.

DS2750 11/11 Printed in USA